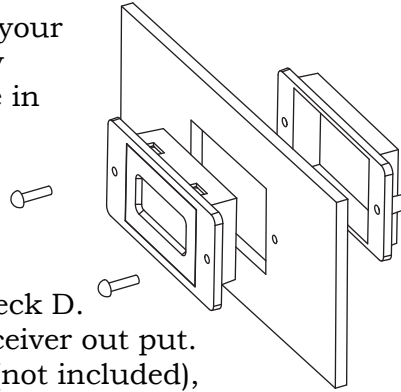


Installation

The Voltcheck D should be installed in your model in a way that allows you to easily monitor the LED display. Run the cable in such a way that it cannot be caught by rotation parts or otherwise damaged.

1. Make a square hole, 35 X 23 mm (0.90" X 1.38") and 2 round holes, 2 mm on fuselage and mount Voltcheck D.
2. Connect the Voltcheck D to a free receiver output. Alternatively, you can use a Y-cable (not included), if there is no output available.



Operation

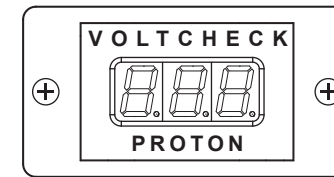
1. After connecting the Voltchecker D to the receiver, the LED displays the number of cells (4C or 5C).
2. To display the cell operation mode, press the button hole at the bottom of the unit with a pointed object such as a pin or clip. Press again to switch between 4-cell and 5-cell operation.
3. The voltage measurement will be displayed.
4. At low voltage, the LED voltage measurement will flash. The LED will blink when the voltage drops to 4.4V for 4-cell operation and 5.4V for 5-cell operation.

Notice : The numbers flash when the power supply is very weak. If the voltage is too low, you should stop the operation of the model for safety reasons as quickly as possible.



182-4 Dodang-dong Wonmi-ku Bucheon-city Kyunggi-do South Korea, 420-806
tel : 82-32-684-6964~7, fax : 82-32-232-0391, e-mail : support@teamproton.com

INSTRUCTION MANUAL



Thank you for purchasing Product of Proton Control Systems. Voltcheck D is micro size on board type digital receiver battery monitor. It helps you free from power failure.

Features

- Simple installation and Operation
Installation of Voltcheck D is so simple as only plug the connector into the free slot of receiver. Turning on the power switch of model, Voltcheck D displays current receiver battery voltage.
- Low power consumption
The current drain of Voltcheck D is only 65 mA.
- Compatible with 2 kinds of battery packs
Voltcheck D has tact switch on the backside. It makes available setting change for 4 cells pack, 4.8V and 5 cells pack, 6.0 V.

Specification

Voltage range : 3.5 V ~ 10.0 V
Current drain : 65 mA
Size : 50 X 26 X 10.4 mm (1.97" X 1.02" X 0.41")
Weight : 11.2 g (0.40 oz)
Connector : JR™ type