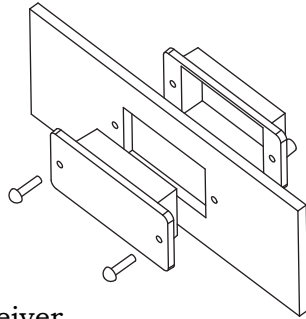


Installation

The Voltcheck should be installed in your model in a way that allows you to easily monitor the LEDs. Run the cable in such a way that it cannot be caught by rotation parts or otherwise damaged.



- Make a square hole, 18.7 X 31mm (0.74" X 1.22") and 2 round holes, 2mm on fuselage and mount Voltcheck.
- Plug the connector into the free slot of receiver (also Y cable is available for sharing a slot with servo)

Operation

After applying the power supply the Voltcheck first indicates the number of cells using the LEDs (4 or 5 LEDs light up). By pressing the push-button on the back you can switch between 4 or 5 cell operation. Of course, this is also possible at a later time during operation. Simply press the button briefly and the voltage indicator displays the current number of cells. Pressing the button again switches the number of cells.

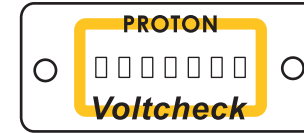
Now the 7 LEDs indicate the voltage:

	blue	green	green	green	green	red	red
4.8 V, 4 cells	5.3	5.1	4.9	4.7	4.5	4.4	4.4
6.0 V, 5 cells	6.7	6.4	6.1	5.8	5.5	5.4	5.4

Notice : When both red LEDs flash, then the power supply is already very weak. If the voltage is too low, you should stop the operation of the model for safety reasons as quickly as possible!



182-4 Dodang-dong Wonmi-ku Bucheon-city Kyounggi-do South Korea, 420-806
tel : 82-32-684-6964~7, fax : 82-32-232-0391, e-mail : support@teamproton.com



Thank you for purchasing Product of Proton Control Systems. Voltcheck is micro size on board type receiver battery monitor. It helps you free from power failure.

Features

- Simple installation and Operation

Installation of Voltcheck is so simple as only plug the connector into the free slot of receiver. Turning on the power switch of model, Voltcheck displays current receiver battery voltage level.

- Low power consumption

The current drain of Voltcheck is only 55 mA at all LEDs on.

- Compatible with 2 kinds of battery packs

Voltcheck has tact switch on the backside. It makes available setting change for 4 cells pack, 4.8V and 5 cells pack, 6.0 V.

Specification

Voltage range : 4.8 V (4 cells), 6.0V (5 cells)
Current drain : 55 mA (full LED on), 4.7 mA (LED off)
Size : 44.5 X 21 X 10 mm (1.75" X 0.83" X 0.39")
Weight : 4.5 g (0.16 oz)